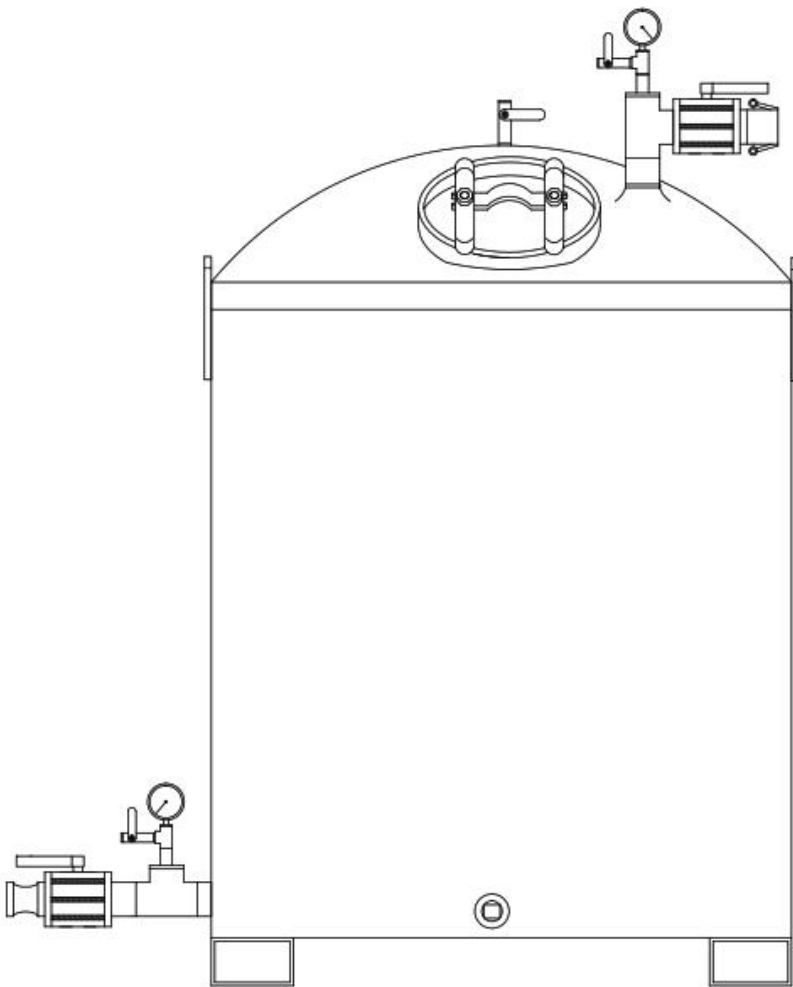


# MEDIA FILTRATION CM-36

- Flow rates up to 50 GPM



## FEATURES

- Durable carbon steel construction
- Epoxy lined interior.
- Hydrottested to 90 PSI for a maximum operating pressure of 75 PSI.
- Lifting lugs and forklift guides to facilitate moving and placement.
- Lower PVC collection hub and laterals positioned for maximum media utilization.
- Upper PVC distribution hub and laterals allow for backwashing or upflow operation.
- 2" Influent/effluent quick coupler connections.

## TECHNICAL

- 1,000 lbs. GAC media capacity
- 2,000 lbs. Organoclay media capacity
- 12" x 16" elliptical manway for easy access.
- 650 lbs. equipment weight.
- 50 GPM flow rate.
- 36 cubic foot media capacity.
- 5'4" Height
- 2" inlet/outlet quick coupler connections.



# Clear Creek Systems

Nationwide Service  
CA • MD • OR • WA  
Phone • 877 324 9634  
[sales@clearcreeksystems.com](mailto:sales@clearcreeksystems.com)  
[www.clearcreeksystems.com](http://www.clearcreeksystems.com)